



Advanced Diecasting Manufacturer In World Markets



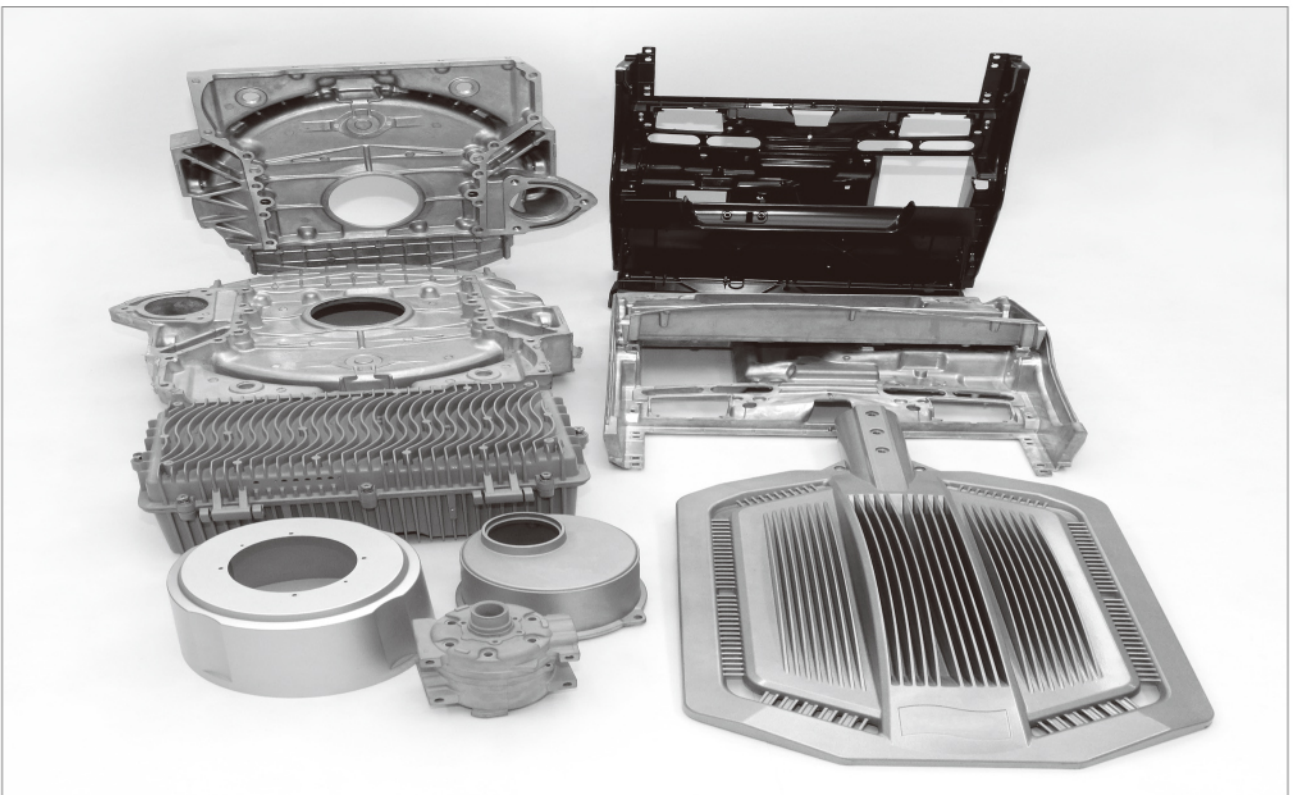
WOSUNG A.D.M CO., LTD.

Advanced Diecasting Manufacturer

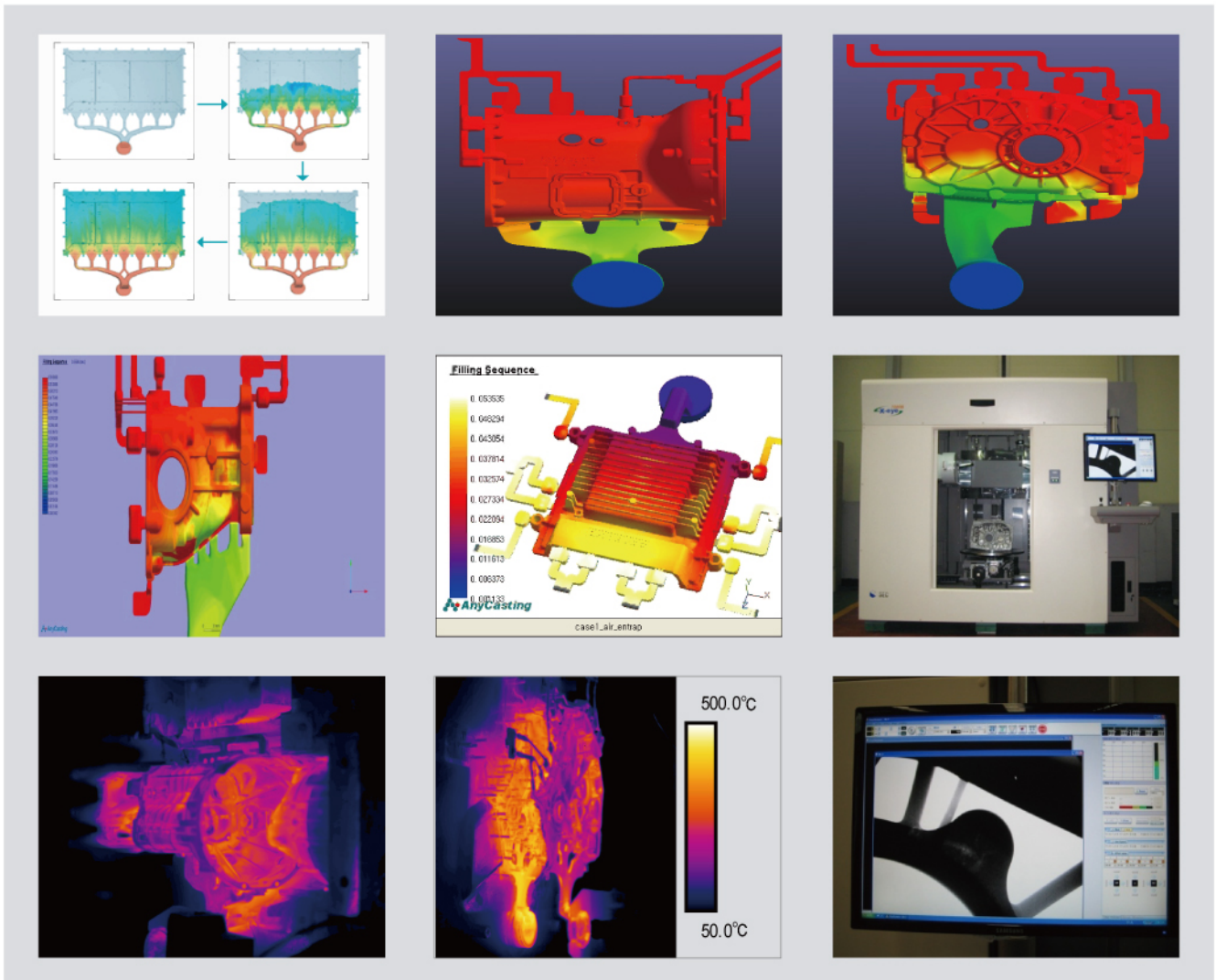
Automotive Parts



Industrial Parts



Technology Development



Quality Certificate



Equipment Status

Casting Equipment

Tonnage	Quantity
125~500	9
800~1250	3
2200~3200	3
Total	15



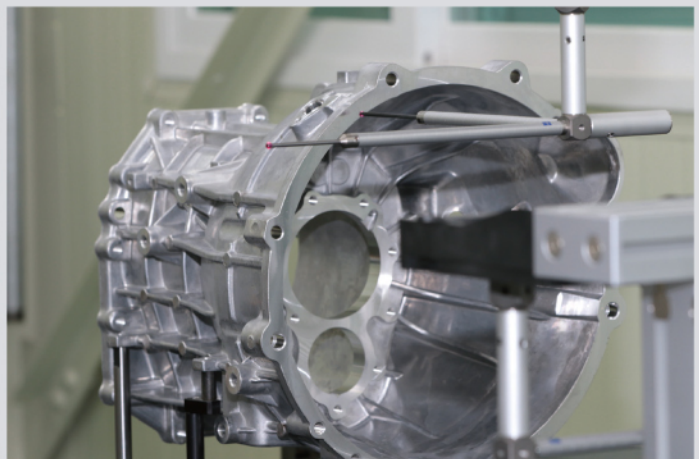
Machining Equipment

Type	Quantity
MachiningCenter	12
Tapping Center	24
Washing Machin	4
Leak Teste	8
Barrel Machine	4
Total	52



Measure Equipment

Name	Quantity
CMM	4
Optical profile projector	1
Hardness Tester	1
Metallurgical microscope	1
Spectrometer	1
Others	70
Total	78



WOOSUNG A.D.M CO., LTD was established in July 1986.

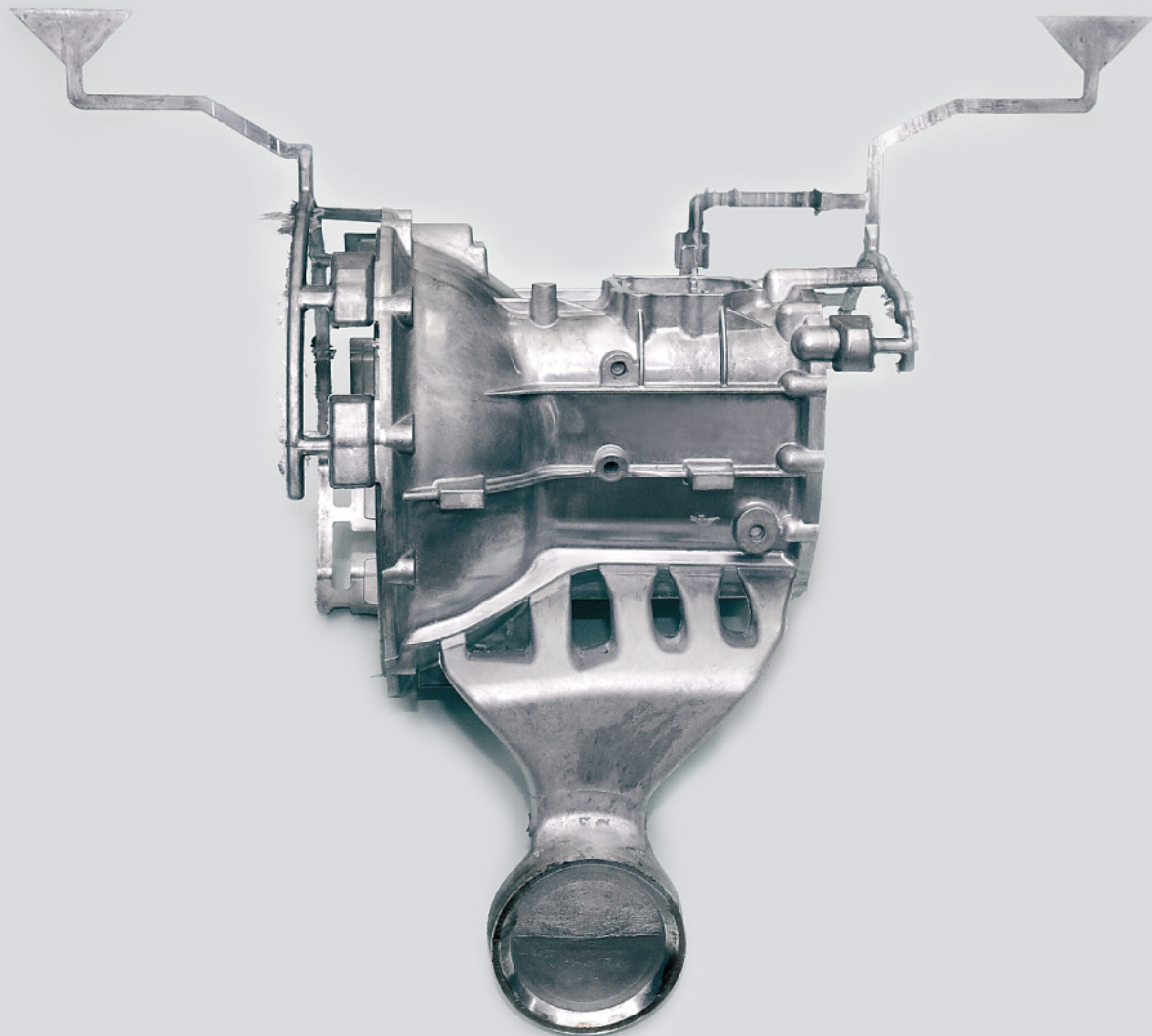
We are a Aluminium Diecasting product manufacturer engaged in various application for automotive components.

Over 30 years of technical know-how and experiences,

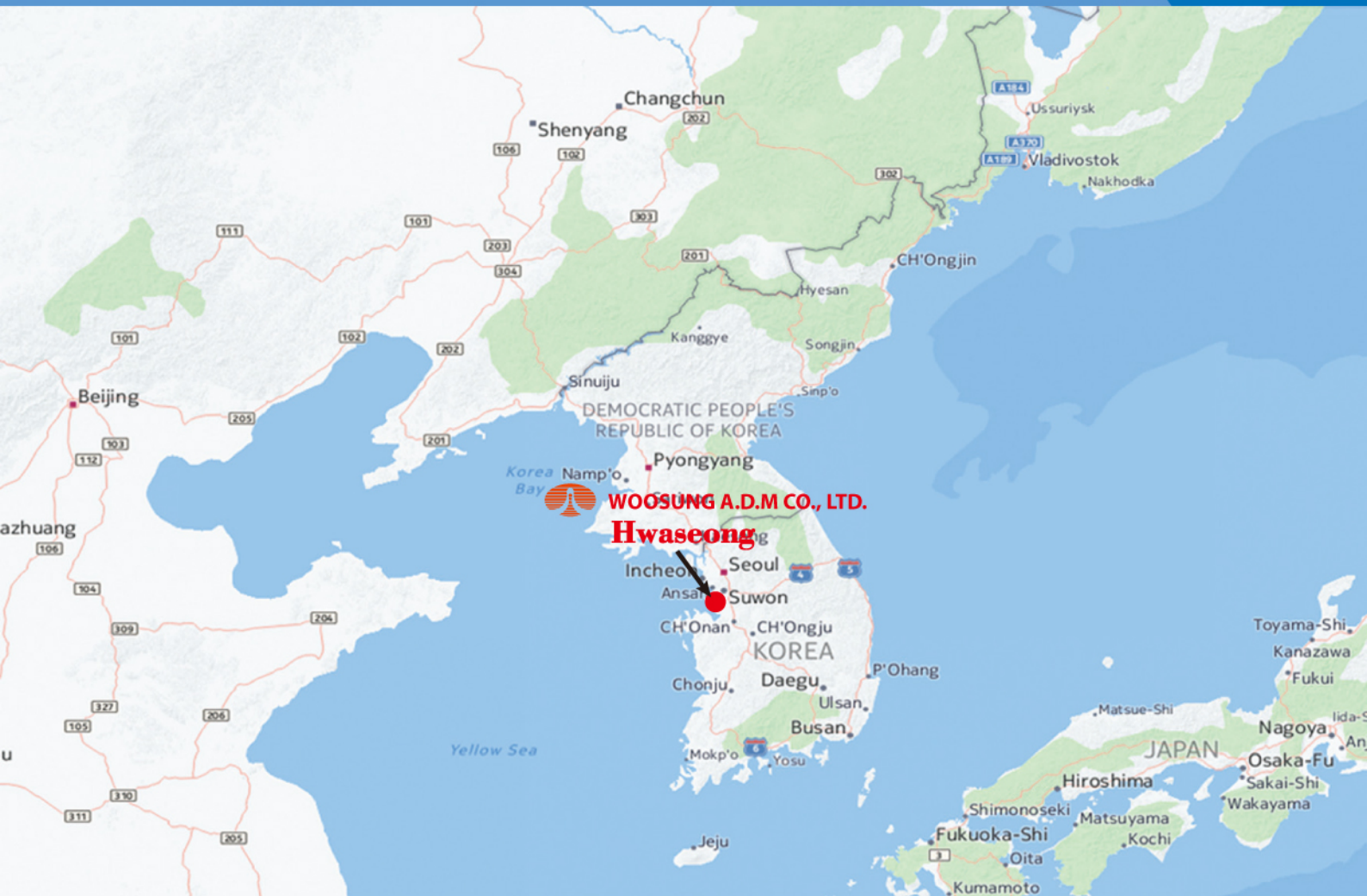
We have been supplying high quality products to major tier-1 automotive companies.

We have die-casting equipments from 3,200 ton to 125ton.

High quality and competitive price are advantages of us.



Location



WOOSUNG A.D.M CO., LTD.

TEL : 82-31-357-0091

FAX : 82-31-357-0093

E-MAIL : sales@woosungadm.co.kr

www.woosungadm.co.kr